

3 Lighting

8 Autonomous hand lamps

1 ATEX LED handlamp LRX

The LRX is a hand lamp with emergency lighting function for use in zone 0. Especially suited as inspection lamp.

Specific characteristics are:

- LOW - NOMINAL - HIGH - OFF pushbutton
- weighs only 1,1kg
- 4.8V NiMH battery
- charging-state LED
- 3 minutes emergency function in case of mains loss

II 1 G Ex ia IIC T4 Ga

II 1 D Ex ia IIIC T85°C IP67 Da

Zone 0	✓	Zone 20	✓
Zone 1	✓	Zone 21	✓
Zone 2	✓	Zone 22	✓

LOM15ATEX2183

The charger is to be ordered separately and is available for 230VAC or 12-24VDC.

Specifications

Housing	polymer
Protection	IP67
Weight	1,1 kg
Ambiant temperature	-40°C - +40°C
Guideline	ATEX
Manufacturer	Luznor



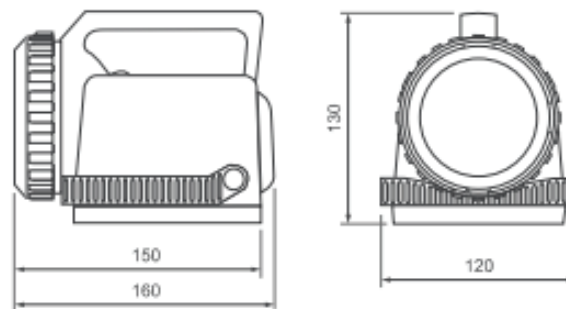
On request

- adjustable carrying strap
- version with signalisation function
- other chargers

Ordering data

Code	Lamp	Battery	Autonomy	Light intensity
LRX-1	LED	NiMH 4.8V - 2Ah	8/4/2 hours (low/nominal/high power)	115/222/338 lumen (low/nominal/high power)
LRX-2	LED	NiMH 4.8V - 4Ah	16/8/5 hours (low/nominal/high power)	115/222/338 lumen (low/nominal/high power)

Dimensional sketches



Accessories

Code	Description
C-64PQ	charger, 85-265VAC, with Europlug
C-6424PQ	charger, 12 or 24VDC, cable without plug