



## 5 Switches, control units, sockets and plugs



### 3 Position switches

#### 1 XCW-D series

The XCW stop limit switches are compact and come with an integrated cable. They are mounted standard with the body. Depending on the type of actuator, the model will also be available for mounting by the head. The actuator can be adjusted from 15° to 15° on 360° relative to the body. The distances between the fixing holes is identical to those of the previous range XCW-A, thus allowing an easy substitution.

#### Specifications

Protection	IP66
Material	zink alloy (Zamak)
Rated voltage	250V
Mechanical life	10 <sup>6</sup> operations
Mounting	body
Ambiant temperature	-20°C - +60°C

II 2 G Ex d IIC T6 Gb

II 2 D Ex tb IIIC IP66 T85°C Db

Zone 0	✗	Zone 20	✗
Zone 1	✓	Zone 21	✓
Zone 2	✓	Zone 22	✓

INERIS03ATEX0083X



#### On request

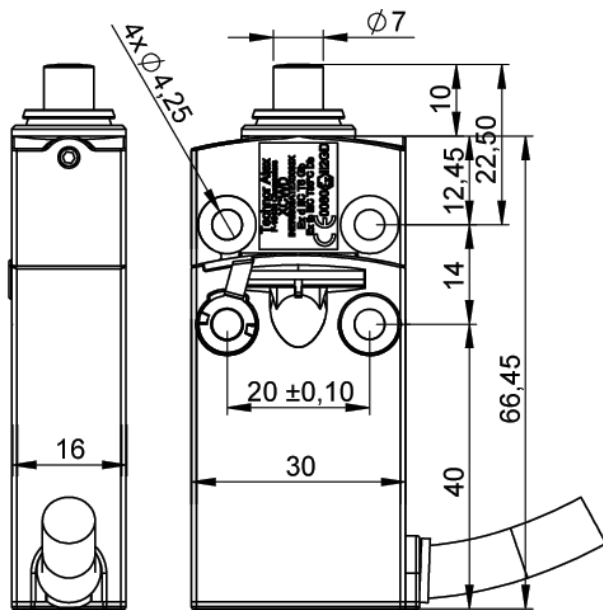
- longer integrated cable (2, 5 or 10 meter)
- mounting by the head
- other actuators

#### Ordering data

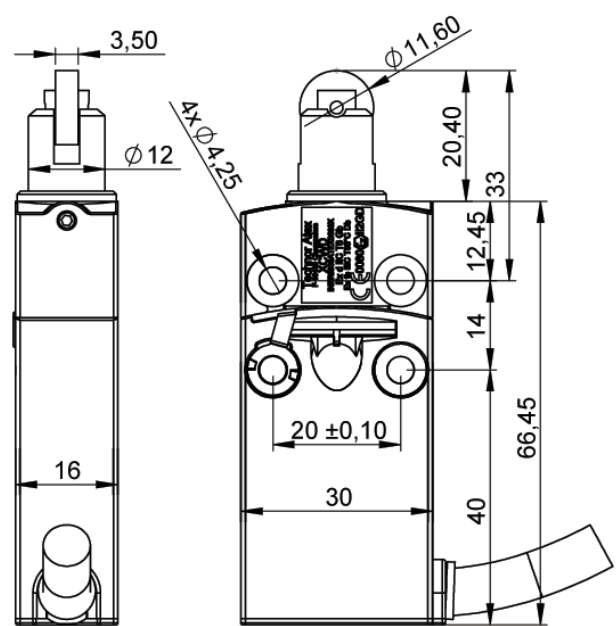
Code	Service control	Operation	Contact blocks	Weight
XCW-D2110L1	metal switch cam	For head motion. Max. speed 0,5 m/s.	1NO+1NC	0,240 kg
XCW-D4110L1	metal switch cam	For head motion. Max. speed 0,5 m/s.	2NO+2NC	0,240 kg
XCW-D2102L1	switch cam with steel roll	For 30° cam motion. Max. speed 0,5 m/s.	1NO+1NC	0,245 kg
XCW-D4102L1	switch cam with steel roll	For 30° cam motion. Max. speed 0,5 m/s.	2NO+2NC	0,245 kg
XCW-D2115L1	lever with plastic roll	For 30° cam motion. Max. speed 1,5 m/s.	1NO+1NC	0,245 kg
XCW-D4115L1	lever with plastic roll	For 30° cam motion. Max. speed 1,5 m/s.	2NO+2NC	0,245 kg
XCW-D2145L1	lever with plastic roll with variable length	For 30° cam motion. Max. speed 1,5 m/s.	1NO+1NC	0,245 kg
XCW-D4145L1	lever with plastic roll with variable length	For 30° cam motion. Max. speed 1,5 m/s.	2NO+2NC	0,245 kg



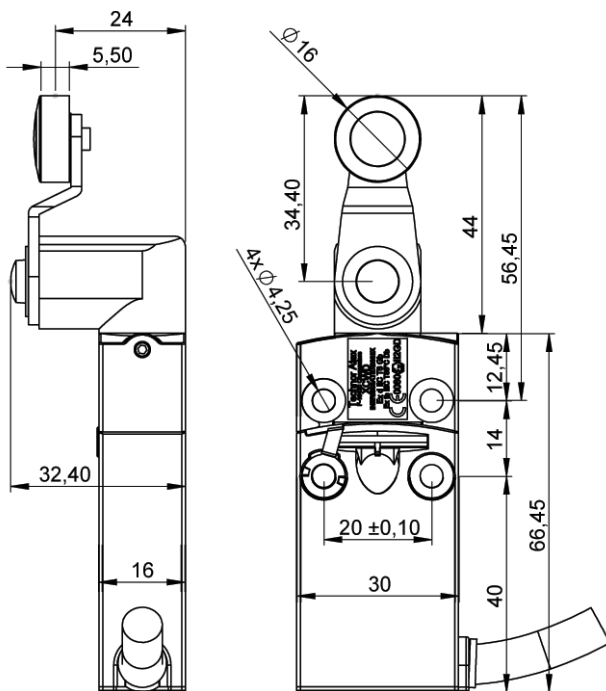
#### Dimensional sketches



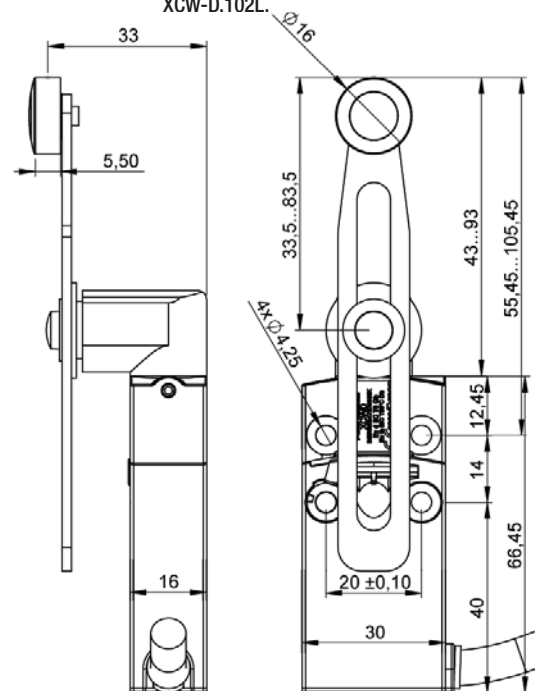
XCW-D.110L.



XCW-D.102L.



XCW-D.115L.



XCW-D.145L.