



5 Switches, control units, sockets and plugs



4 Sockets and plugs Marechal

1 DXN1 - 20A

Marechal plugs and sockets are suitable for both GAS and DUST applications. In combination with a high IP protection level and resistance against all kinds of chemicals, these devices are suitable for aggressive environments. The polyester case has a sturdy, compact design.

The integrated switch allows switching under live power, so a safety switch is no longer necessary.

The silver-nickel contact surfaces guarantee even contract pressure with low contact resistance, so that the devices can handle a higher inrush current.

The materials are made up of parts, so that different combinations are possible. The most common combinations are offered here, but different combinations and options are available on request.

Specifications

Protection	IP66
Material	polyester
Ambiant temperature	-40°C - +40°C

II 2 G Ex d e IIC T6 Gb

II 2 D Ex tb IIIC T70°C Db

Zone 0	✗	Zone 20	✗
Zone 1	✓	Zone 21	✓
Zone 2	✓	Zone 22	✓

LCIE99ATEX6027X



On request

- ambient temperature -40°C - +60°C
- other voltages, frequencies and contact configurations
- sockets and plugs 125A or 200A
- wall socket with 70° inclination instead of 30°
- alternative cable intries
- compact or multicontact connector

Ordering data

Code	Description	No. of poles	Nom. current	Voltage
DXN1-C20-024-2	Wall socket	2P	20A	20-24 VAC
DXN1-S20-024-2	Plug	2P	20A	20-24 VAC
DXN1-K20-024-2	Coupling	2P	20A	20-24 VAC
DXN1-I20-024-2	Built-in wall socket	2P	20A	20-24 VAC
DXN1-C20-230-3	Wall socket	1P+N+PE	20A	220-250 VAC
DXN1-S20-230-3	Plug	1P+N+PE	20A	220-250 VAC
DXN1-K20-230-3	Coupling	1P+N+PE	20A	220-250 VAC
DXN1-I20-230-3	Built-in wall socket	1P+N+PE	20A	220-250 VAC
DXN1-C20-400-5	Wall socket	3P+N+PE	20A	380-440 VAC
DXN1-S20-400-5	Plug	3P+N+PE	20A	380-440 VAC
DXN1-K20-400-5	Coupling	3P+N+PE	20A	380-440 VAC
DXN1-I20-400-5	Built-in wall socket	3P+N+PE	20A	380-440 VAC

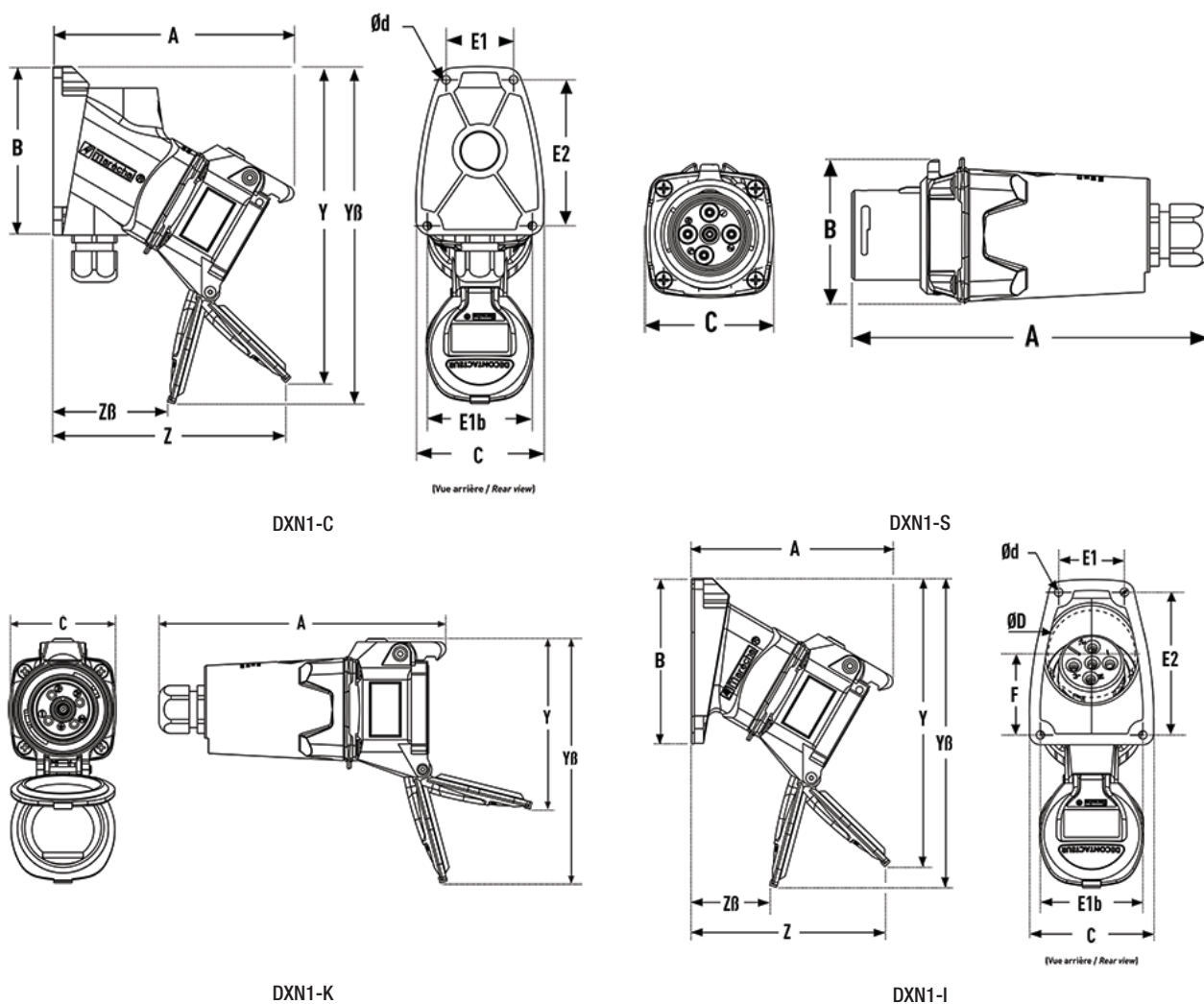


5 Switches, control units, sockets and plugs

4 Sockets and plugs Marechal

1 DXN1 - 20A

Dimensional sketches



Product code	Dimensions													
	A	B	C	E1	E1b	E2	Y	Yb	Z	Zb	Ø d	F	Ø D max	
DXN1-C20-024-2	129	90	68	36	56	78	166	180	127	61	4,5			
DXN1-S20-024-2	151	61	58											
DXN1-K20-024-2	158		58				89	134						
DXN1-I20-024-2	111	90	68	36	56	78	154	169	109	43	4,5	44	48	
DXN1-C20-230-3	129	90	68	36	56	78	166	180	127	61	4,5			
DXN1-S20-230-3	151	61	58											
DXN1-K20-230-3	158		58				89	134						
DXN1-I20-230-3	111	90	68	36	56	78	154	169	109	43	4,5	44	48	
DXN1-C20-400-5	129	90	68	36	56	78	166	180	127	61	4,5			
DXN1-S20-400-5	151	61	58											
DXN1-K20-400-5	158		58				89	134						
DXN1-I20-400-5	111	90	68	36	56	78	154	169	109	43	4,5	44	48	