



5 Switches, control units, sockets and plugs



4 Sockets and plugs Marechal

2 DXN3 - 32A

Marechal plugs and sockets are suitable for both GAS and DUST applications. In combination with a high IP protection level and resistance against all kinds of chemicals, these devices are suitable for aggressive environments. The polyester case has a sturdy, compact design.

The integrated switch allows switching under live power, so a safety switch is no longer necessary.

The silver-nickel contact surfaces guarantee even contract pressure with low contact resistance, so that the devices can handle a higher inrush current.

The materials are made up of parts, so that different combinations are possible. The most common combinations are offered here, but different combinations and options are available on request.

Specifications

Protection	IP66
Material	polyester
Ambiant temperature	-40°C - +40°C

II 2 G Ex d e IIC T6 Gb

II 2 D Ex tb IIIC T57°C Db

Zone 0	✗	Zone 20	✗
Zone 1	✓	Zone 21	✓
Zone 2	✓	Zone 22	✓

LCIE05ATEX6149



On request

- ambient temperature -40°C - +60°C
- other voltages, frequencies and contact configurations
- sockets and plugs 125A or 200A
- wall socket with 70° inclination instead of 30°
- alternative cable intries
- compact or multicontact connector

Ordering data

Code		No. of poles	Nom. current	Voltage
DXN3-C32-230-3	Wall socket	1P+N+PE	32A	220-250 VAC
DXN3-S32-230-3	Plug	1P+N+PE	32A	220-250 VAC
DXN3-K32-230-3	Coupling	1P+N+PE	32A	220-250 VAC
DXN3-I32-230-3	Built-in wall socket	1P+N+PE	32A	220-250 VAC
DXN3-C32-400-5	Wall socket	3P+N+PE	32A	380-440 VAC
DXN3-S32-400-5	Plug	3P+N+PE	32A	380-440 VAC
DXN3-K32-400-5	Coupling	3P+N+PE	32A	380-440 VAC
DXN3-I32-400-5	Built-in wall socket	3P+N+PE	32A	380-440 VAC

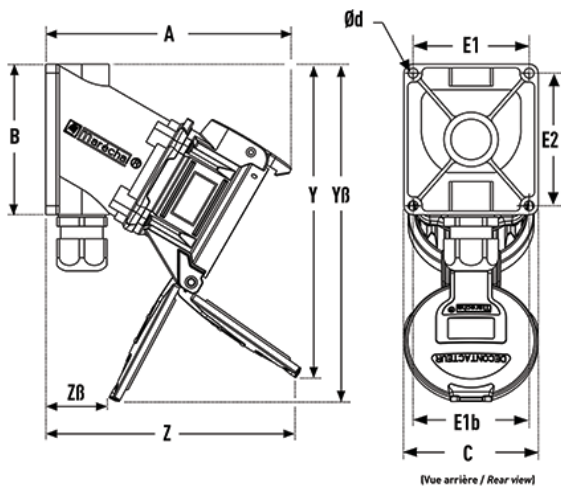


5 Switches, control units, sockets and plugs

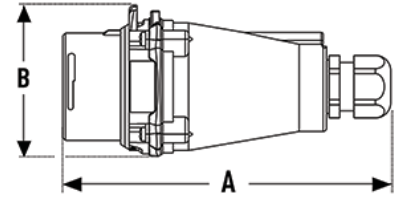
4 Sockets and plugs Marechal

2 DXN3 - 32A

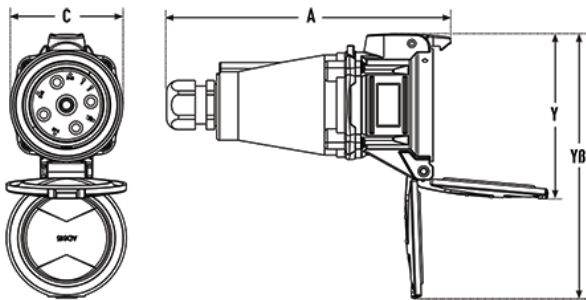
Dimensional sketches



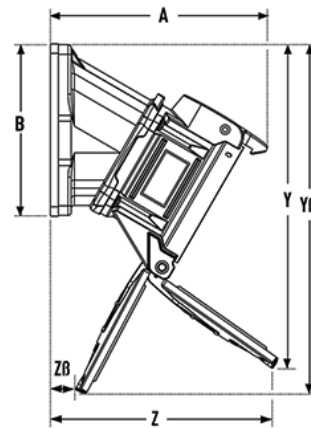
DXN3-C



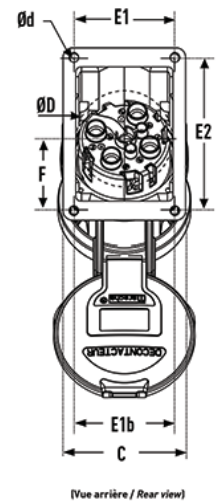
DXN3-S



DXN3-K



DXN3-I



Product code	Dimensions												
	A	B	C	E1	E1b	E2	Y	Yb	Z	Zb	Ø d	F	Ø D max
DXN3-C32-230-3	145	84	84	70		70	205	189	101	16	6		
DXN3-S32-230-3	158	74	70										
DXN3-K32-230-3	182		74				148	179					
DXN3-I32-230-3	129	108	77	63		95	211	195	85	0,1	5,5	37	60
DXN3-C32-400-5	145	84	84	70		70	205	189	101	16	6		
DXN3-S32-400-5	158	74	70										
DXN3-K32-400-5	182		74				148	179					
DXN3-I32-400-5	129	108	77	63		95	211	195	85	0,1	5,5	37	60